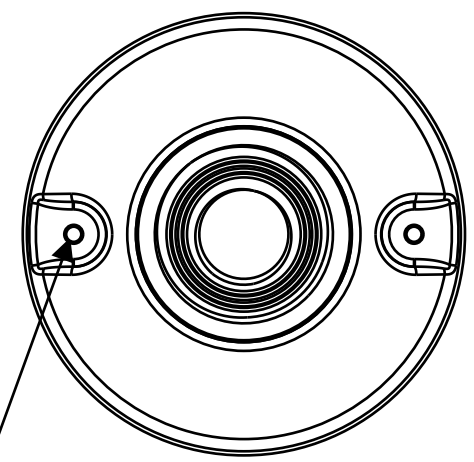
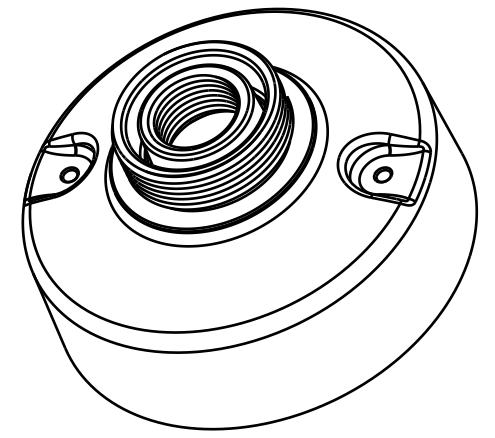
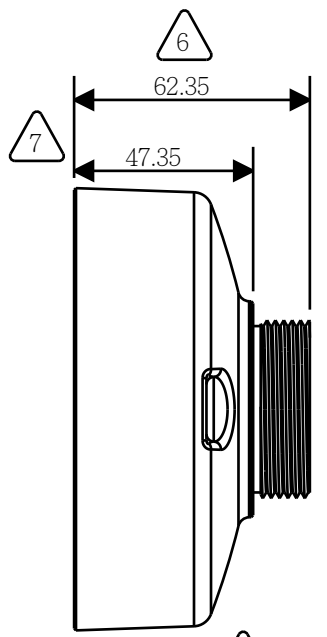
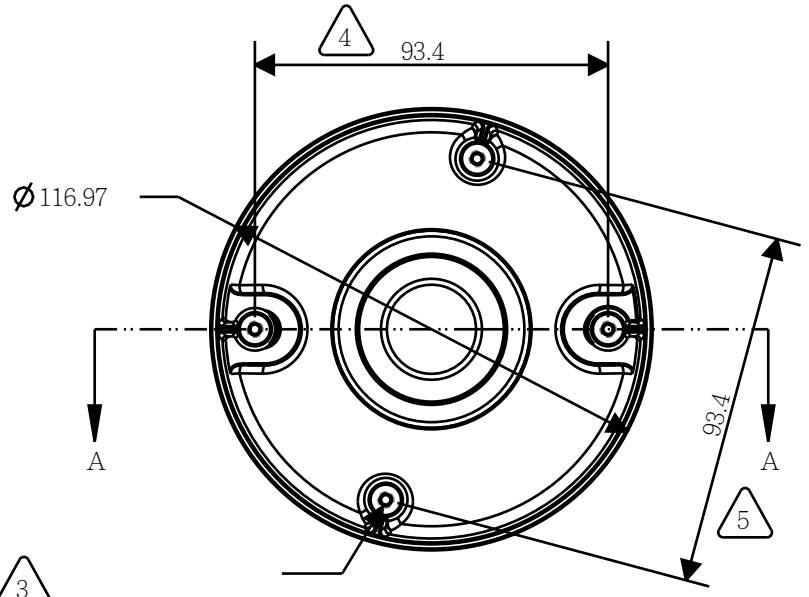


SECTION A-A



3
 outside: 4 -M4*0.7P*5H
 inside: 4-M3*0.5P*5H

SCALE 0.500

Note:
 1. Check dimension : 1~8
 2. Assembly with 52C7705Z1020

ITEM NO.	PART OR IDENTIFYING NO.	NOMENCLATURE OF DESCRIPTION	MATERIAL SPECIFICATION	QTY REQD
PART LIST				
UNLESS OTHERWISE SPECIFIED DIMENSIONS ARE IN "mm". TOLERANCE AREA:		CAD GENERATED DRAWING DO NOT MANUALLY UPDATE		MegaVideo Electric (HongKong) Industry Co.,Ltd
Dimension	Tolerance	APPROVALS	DATE	
0-5	±0.1	DRAWN	1040709	壓鑄類 NON-BRAND MNL D1 支架結合座 (內外管牙) M3/M4螺絲共用 ADC12 通用件
5-10	±0.15	CHECKED		
10-50	±0.2	RESP ENG		
50-100	±0.25	MPG ENG		
100-	±0.25%	GRAL ENG		
MATERIAL	ADC12			
FINISH	RAL9003			
NEXT ASSY	USED ON			
APPLICATION	DO NOT SCALE DRAWING			
SIZE A4	DC P/N: 52B01VXZZ021	REV. 2		
SCALE 0.500	CAD FILE 52B01VXZZ021	SHEET		